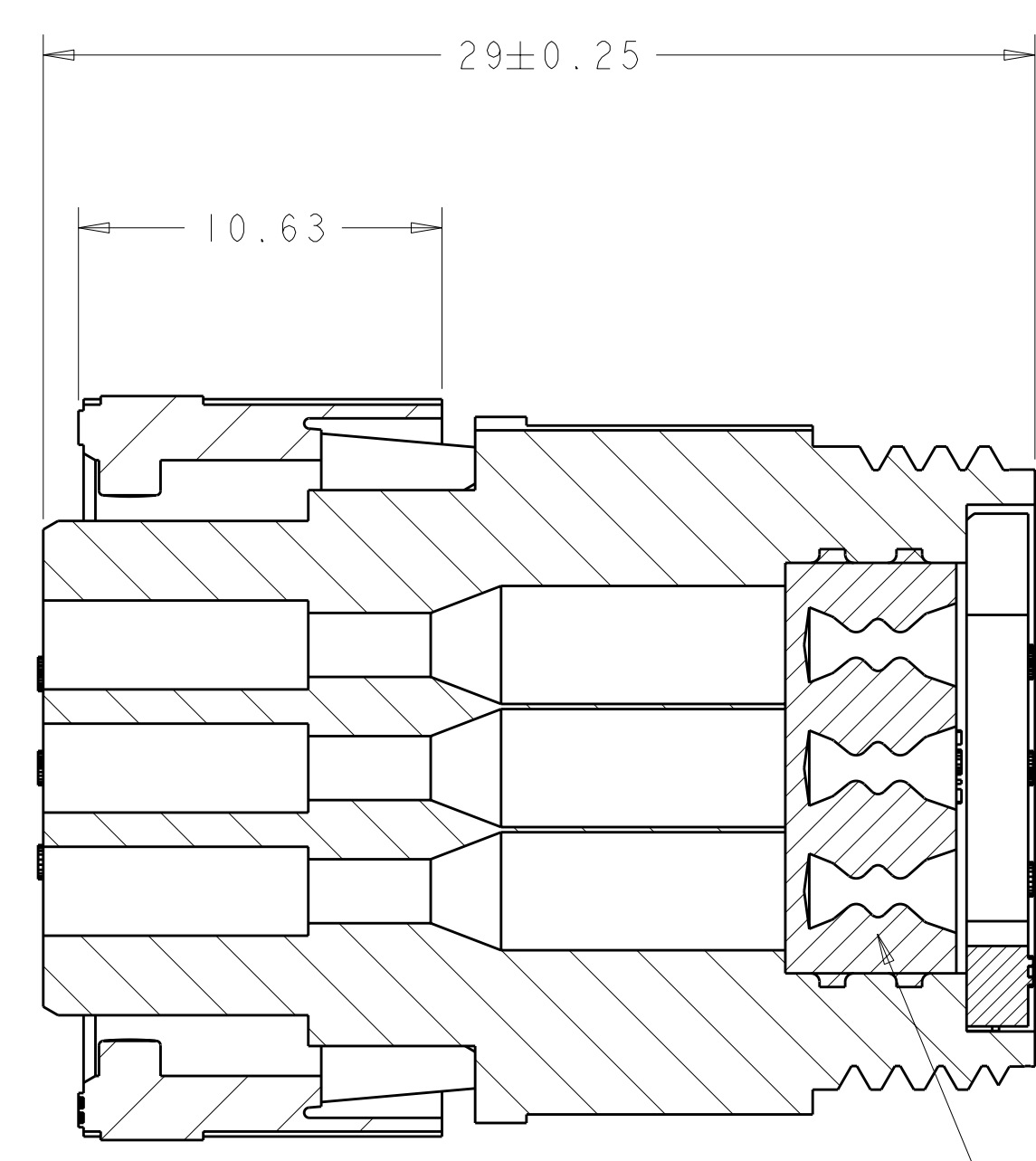
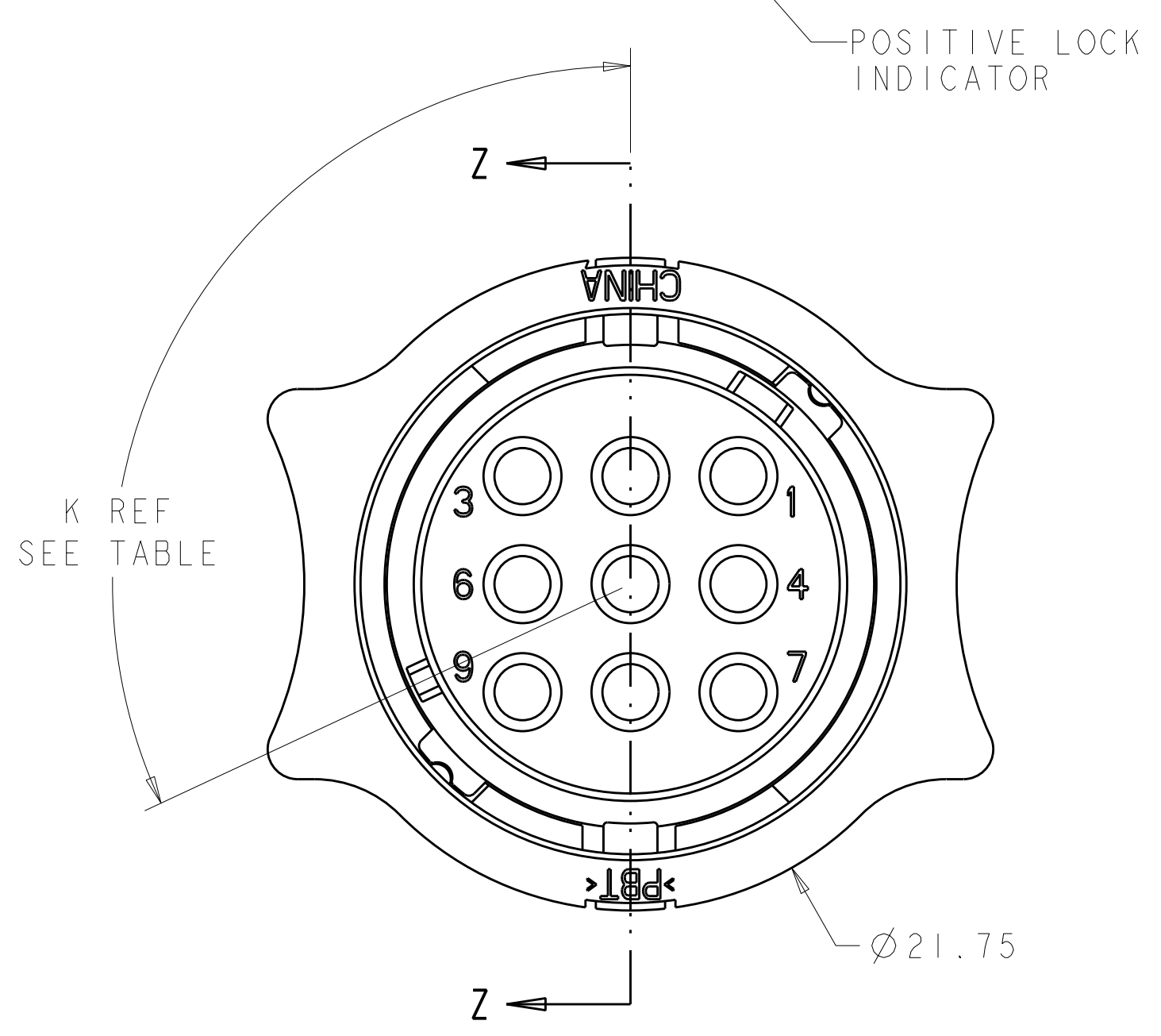
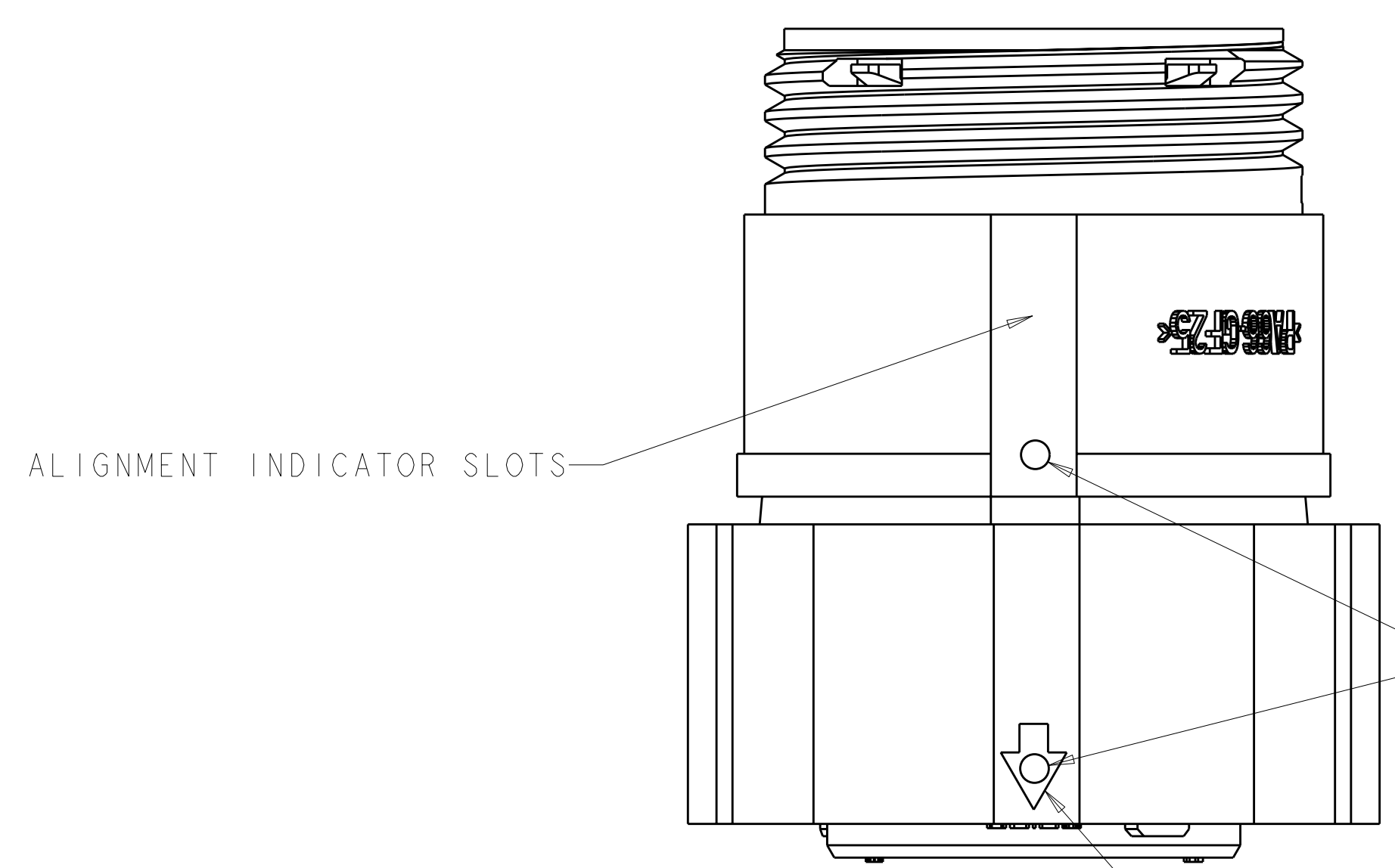
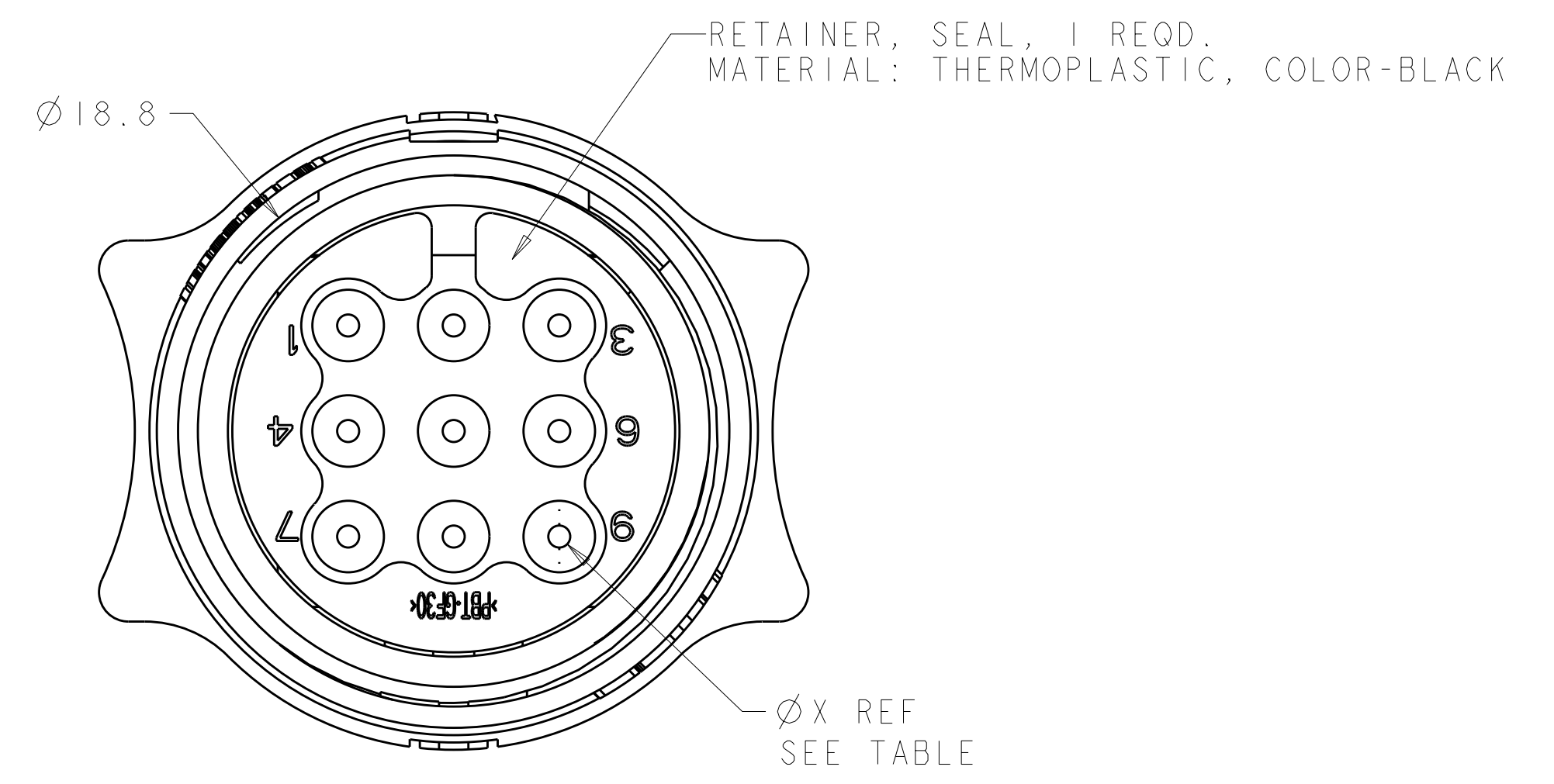


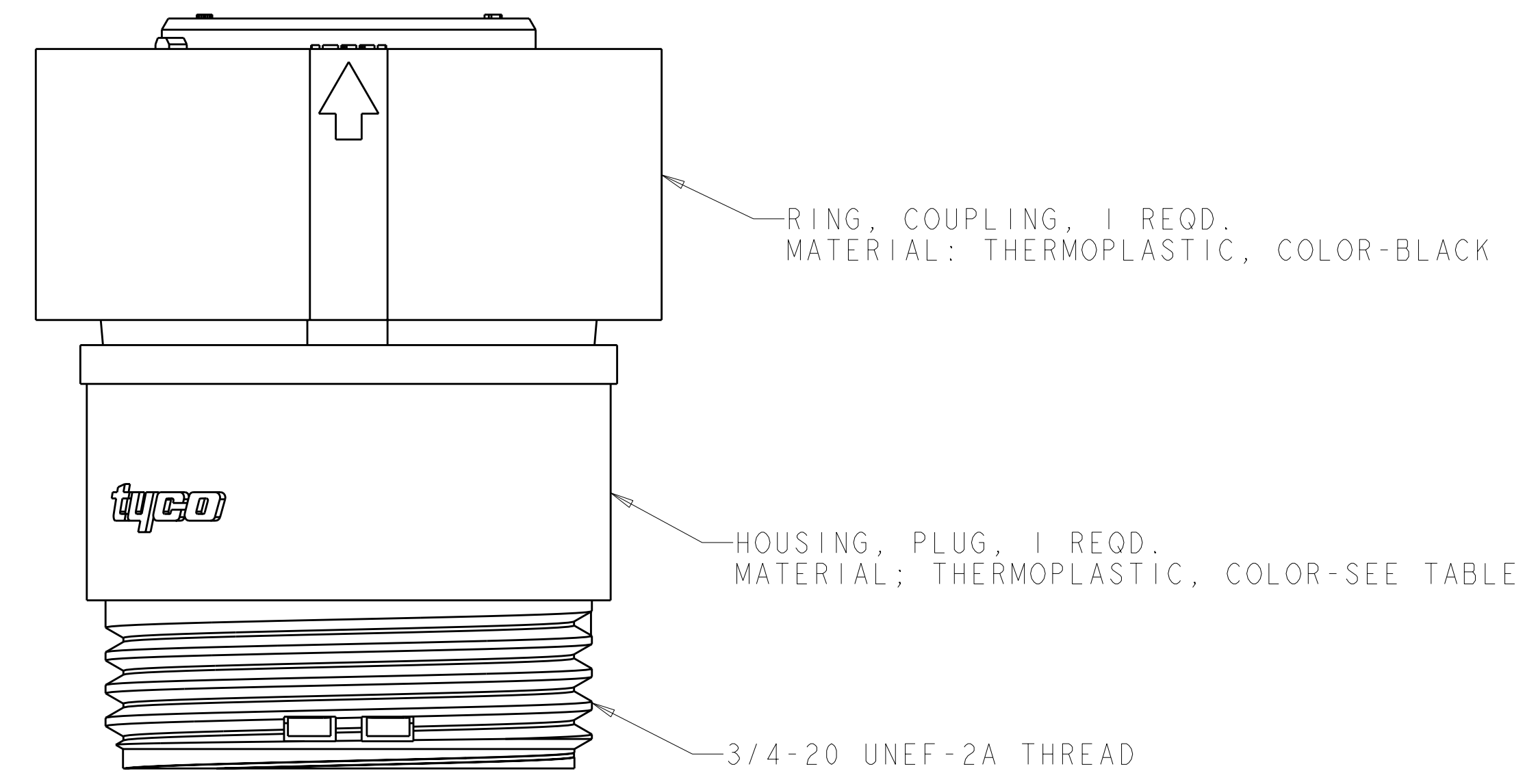
LOC	DIST	REV	DATE	BY	APPD
FT	0	D1	12MAR2001	SW	MS



SECTION Z-Z



SEAL, WIRE ENTRY, 1 REQD. MATERIAL: ELASTOMER, COLOR-SEE TABLE



QUALIFICATION TEST PENDING

OBSOLETE	Ø 1.5	135°	B	NATURAL	BROWN	1445807-7
OBSOLETE	Ø 0.75	135°	B	YELLOW	RED	1445807-4
	Ø 1.5	115°	A	NATURAL	BLACK	1445807-3
OBSOLETE	Ø 1.5	135°	B	NATURAL	RED	1445807-2
	Ø 0.75	115°	A	YELLOW	BLACK	1445807-1
	Ø X REF	K REF	KEYING CODE	WIRE ENTRY SEAL COLOR	HOUSING COLOR	PART NUMBER

DIMENSIONS: mm TOLERANCES UNLESS OTHERWISE SPECIFIED: 9 PLC ± 1 PLC ± 2 PLC ±0.13 3 PLC ± 4 PLC ± ANGLES ± FINISH -		DWN SHANE WUEST 15OCT2001 CHK G DOUTY 15OCT2001 APVD H WAKEEM 13JUN2003	tyco Electronics Tyco Electronics Harrisburg, PA 17105-3608
MATERIAL: SEE CALLOUT FINISH: -		PRODUCT SPEC: - APPLICATION SPEC: - WEIGHT: - CUSTOMER DRAWING	NAME: ASSEMBLY, PLUG, SIZE 11, 9 POSITION, SEALED, MINI CPC SIZE: A1 CAGE CODE: 00779 DRAWING NO: C=1445807 SCALE: 5:1 SHEET: 1 OF 1 REV: D1